



Pocket 4G V3.0 User Manual

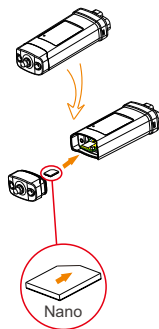
Read this user manual carefully prior to use.

1. INSTALLATION



Ensure all power has been turned off at least 5 minutes prior to installation.

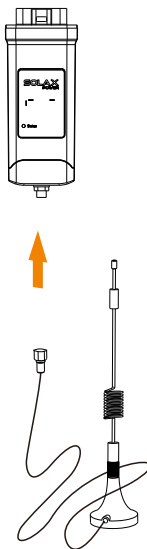
- Screw off two components at the bottom of Pocket 4G, insert the nano size SIM card. Screw those components.



Choose local mainstream operators' SIM card, and confirm its availability with your dealer.

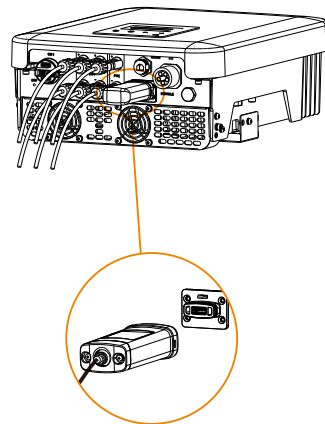
01

- Screw the antenna with Pocket 4G.



02

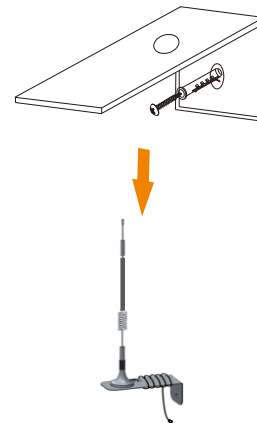
- Remove the cover of DONGLE port at the bottom of inverter. Then plug Pocket 4G into the port.



Note that the direction of the buckle needs to be consistent.

03

- Find the L-shaped antenna bracket in the package, as shown in the figure, use the expansion screw to fix the antenna bracket on the outdoor wall. Then attract antenna on the bracket.



The installation of bracket is at least 1 meter away from inverter or any other strong signal interference equipment.

04

2. MONITORING

➤ SolaxCloud Registration

Step 1: Use your smart phone to scan below QR code or search for the keyword “SolaxCloud” in browser to download the Monitoring App.



iOS

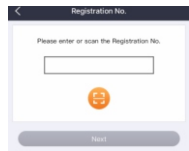


Google

Step 2: Touch the Setting button at upper left corner of the Monitoring App to choose language.

Step 3: Touch “Create a new account” at the bottom of Monitoring App.

Step 4: Type in or scan the Registration No. and type in other information to complete the registration.



(Registration No. example)

➤ Monitoring Website

Step 1: Ensure that your computer or laptop is connected to a network.

Step 2: Open a browser and enter www.solaxcloud.com/

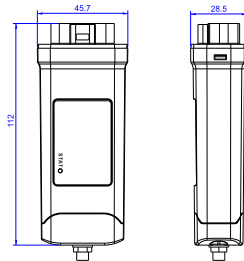
Step 3: Select your display language and read the User guide, then create a new account.



Step 4: Complete registration, login, add site and other related operations according to the guidelines of the User guide.

Step 5: Click the Warranty Manage and add your installation information to get warranty for your devices.

APPEARANCE AND DIMENSIONS



TECHNICAL DATA

Product Name	Pocket 4G
Model	Pocket 4G V3.0
Supply Voltage	5V DC
Rated Power	2.5 W
Data Upload Intervals	5 min
SIM Card Size	Nano - 4FF 12.3*8.8 mm
Support Band	LTE-FDD: B1/B3/B5/B7/B8/B20/B28 LTE-TDD: B38/B40/B41 GSM: 850/900/1800/1900MHz
Antenna Type	IPEX
Dimension	112*45.7*28.5 mm
Degree of protection	IP 65
Weight	135 g

SAFETY INSTRUCTIONS

- Prior to installation, ensure all power going to the inverter has been cut off.
- Keep away from flammable, explosive materials.
- Do not dismantle or scrap by force.
- Children should be supervised to ensure that they do not play with this appliance.



Indicates that the product must not be processed with household waste. It must be brought to an electric and electronic waste collection point for recycling and disposal. By ensuring the appropriate disposal of this product

you also help in preventing potentially negative consequences for the environment and human health. The recycling of materials helps preserve our natural resources. For further information regarding the recycling of this product, please contact your municipality, local waste disposal center or the store where the products was purchased.

WARRANTY REGULATION AND LIABILITY

Terms and Conditions

SolaX grants a standard 24-month warranty. The terms of this warranty begin from the date marked on the purchase invoice. SolaX will only perform warranty service when the faulty unit is returned to SolaX along with a copy of the invoice and proof of purchase issued by the dealer. In addition, the type label of the unit must be fully legible. If these requirements are not fulfilled, SolaX reserves the right to deny warranty service.

Exclusion of Liability

Warranty claims are excluded for direct or indirect damage due to:

- Use of unit in ways not intended, improper or substandard installation, improper operation and unauthorized modification to the units, or repair attempts.
- Missing warranty card and serial number.
- Operating the units with defective protective equipment.
- Influence of foreign objects and force majeure.
- Inadequate ventilation.
- Non-observance to relevant safety instructions.

PROOF OF PURCHASE

Retain this page as proof of your purchase. See warranty registration notice for more details.

Name Country

Phone Number Zip Code

Email

Address

Product Serial Number

Date of Commissioning

Installation Company Name

Date of Delivery

Signature

SolaX Power Network Technology (Zhejiang) Co., Ltd.

ADD Room 506, West Building A, No.525 Xixi Road, Hangzhou, Zhejiang Province, China 310007

Tel +86 571 56260011

FAX +86 571 56075753

EMAIL service@solaxpower.com

WEB www.solaxpower.com

